

# Grain Carts

**New!**



***50% Faster Unloading Speed  
than 18" Augers.***

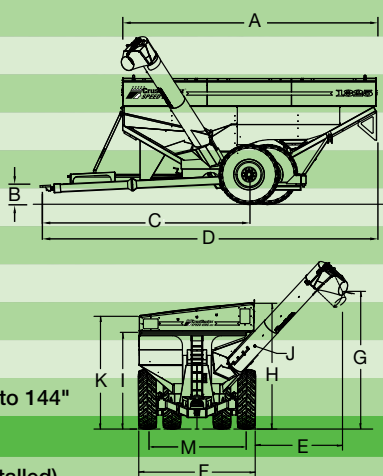
*Model 1325 equipped with 22" auger*

- » **1325 bu. capacity**
- » **Adjustable spout standard**
- » **Tandem axle standard**
- » **Narrow road transport**



*Models 850 and 1075 equipped with 18" augers*

<b>CrustBuster Speed King Grain Cart Standard Features and Specifications</b>	<b>850</b>	<b>1075</b>	<b>1325</b>
Bushel Capacity	850	1075	1325
Tires—R1—12 ply	30.5x32	800/65R32	520/85R38
Walterscheid PTO—1 <sup>3</sup> / <sub>4</sub> "/20 spline with combination friction/over-running clutch	•	•	•
Front crank operated gravity dump door for pit dumping and cleanout	•	•	•
Computer balanced auger with 5/16" flighting	18"	18"	22"
Front corner auger for greater driver visibility	•	•	•
Hydraulically operated grain shutoff with front indicator	•	•	•
Mechanical auger lock with positive-flange seal to prevent any grain leakage	•	•	
Gearbox consists of two-piece housing, large gears and extra support bearing	•	•	N/A
Large 4 <sup>1</sup> / <sub>2</sub> " diameter frame enclosed spindles and matching 881 hubs 10/13.19"	•	•	•
Wheels 27x32 (10/13.19)-30.5"x32" R1 12 ply tires	•	•	N/A
Easy user conversion to hydraulic drive (see price on hydraulic drive option)	•	•	Pending
Single auger top spring—neater, stronger and no adjusting	•	•	•
Bottom bearing for auger (takes the weight off gearbox)	•	•	N/A
Lower drive bushing with stainless steel insert to assist removing gearbox	•	•	N/A
Split driveshaft for easier maintenance, greater clearance and durability	•	•	•
Heavy main frame tubing	10"x4"	10"x4"	10"x6"
Better balanced, with less weight on tongue when loaded	7,250 lbs.	7,250 lbs.	8,500 lbs.
Paint available in red or green	•	•	•
Deluxe light kit	•	•	•
Approximate weight, pounds	8,720	12,400	17,000
A	18' 6"	20'	21' 1"
B	20"	20"	20"
C	18' 5"	18' 5"	21"
D	26' 9"	26' 9"	34' 5"
E	102"	102"	108"
F	12'	12'	12'
G Discharge height	12' 1"	13'	14' 5"
H	11' 2"	12' 9"	12' 10"
I	9' 8"	10' 9"	10'
J	18"	18"	22"
K Dumping height	10' 4"	11' 6"	11' 6"
L Ground clearance	24"	17"	17"
M Fully adjustable axle 120" to 144"	•	•	N/A
<b>Options</b>			
Fitted Rollup Tarp (Factory Installed)	•	•	•
Hydraulic Drive (Replaces PTO)	•	•	•
Diamond Tread Tires	•	•	N/A
Single 24.5R Tires	•	•	N/A
Dual 20.8 x 42R Tires	•	•	N/A
900 x 60R32 Tires	•	•	N/A
3pt Digital Scales	•	•	•
Adjustable Spout	•	•	Std.



Mechanical auger lock with positive flange seal on 850 and 1075.



Auger is visible from the tractor cab through the "visibility" cut out of the tank.



Tandem axle tires go down 30" row spacing.



Fully adjustable axle—120" to 144" on 850 and 1075.



Hydraulic drive option.



Adjustable spout option on 850 and 1075..



Swivel tongue standard.



P.O. BOX 1438 • DODGE CITY, KANSAS 67801  
620.227.7106 • www.crustbuster.com

